

Type 1379 Duragauge® Pressure Gauge with PLUS!™ Performance Option



- 4½" full-size Bourdon tube
- Patented Duratube™ with as-welded-tube construction controls stress for longer life
- "Round Cap Tip" construction lowers stresses for longer life
- Micrometer adjustable pointer.
- Exclusive Teflon coated 400 series stainless steel rotary movement for longer life
- PLUS!™ Performance Option:
 - Liquid-filled performance in a dry gauge
 - Fights vibration and pulsations without liquid-filled headaches
 - Order as option XLL
- Epoxy-coated system for superior corrosion resistance

Type 1379 Duragauge® pressure gauge is offered in 4½", 6" and 8½" dial sizes. This rugged, solid-front aluminum case gauge is tops in its field. It is available as a weatherproof hermetically sealed or liquid-filled version in 4½" and 6" sizes in pressures to 30,000 psi. Like the 1279, it can be easily field converted from the weatherproof version to either the sealed or liquid-filled version using an optional kit. Ranges 50,000, 80,000 and 100,000 psi are available in 6" hermetically sealed and liquid-filled cases. All cases are coated with black epoxy which will withstand most environmental conditions.

PRODUCT SPECIFICATIONS

Model Number: 1379
Accuracy: ½% full scale (Grade 2A, ASME B40.100)
Ranges: Vacuum – 100,000 psi*
Dial Size: 4½", 6", 8½" diameter
Case Material: Black, aluminum, solid front
Weather Protection: Dry Case: IP54
 Liquid filled or hermetically sealed case: IP65

TEMPERATURE LIMITS			
	Ambient	Process	Storage
Dry	-20/200°F ⁽¹⁾ (-29/93°C)	-20/250°F ⁽¹⁾ (-29/121°C)	-40/250°F (-40/121°C)
LF (glycerin)	20/150°F (7/66°C)	20/200°F (7/93°C)	0/150°F (-18/66°C)
(silicone)	-40/150°F (-40/66°C)	-40/200°F (-40/93°C)	-40/150°F (-40/66°C)
(halocarbon)	-40/150°F (-40/66°C)	-40/200°F (-40/93°C)	-40/150°F (-40/66°C)

(1) Available for temperatures below -20°F, see Product Information page ASH/PI-21B for details.

Note: Other than discoloration of the dial and hardening of the gasketing that may occur as ambient or process temperatures exceeds 150°F, non-liquid-filled gauges with standard glass windows, can withstand continuous operating temperatures up to 250°F (121°C). Liquid-filled gauges can withstand 200°F (93°C) but glycerin fill and acrylic window will tend to yellow. Accuracy at temperatures above or below the reference ambient temperature of 68°F (20°C) will be affected by approximately .4% per 25°F (4°C). Gauges with welded joints will withstand 750°F

(450°F (232°C) with silver brazed joints) for short times without rupture, although other parts of the gauge will be destroyed and calibration will be lost. For continuous use and for process or ambient temperatures above 250°F (121°C), a diaphragm seal or capillary or siphon is recommended.

Ring:
 4½" & 6" Dial: Threaded reinforced black polypropylene
 8½" Dial: Hinged, aluminum, black epoxy coated
Window: Glass
Dial: Aluminum, white background, black pressure scale.
Bourdon Tube and Socket: C510 Phos. bronze/brass brazed (A)
 316L SS/Steel (R)
 316L SS/316L SS (S)
 K Monel/ Monel (P)
 Inconel 718 (WW)
Pointer: Micrometer adjustable
Movement: Rotary, 400 SS, Teflon® coated pinion gear and segment
Conn. Size: ¼", ½" NPT, ¼" high pressure for gauges 30,000 psi and above
Conn. Location: Lower or back

PRODUCT OPTIONS
Fill: L-Glycerin-Standard
 XGV-Silicone-Optional
 XGX-Halocarbon-Optional
PLUS!™
Performance: XLL
Hermetically Sealed, IP65: H
Flush Mounting Ring: X56
Receiver Gauge: XPR
Shatter Proof Glass Window: XSG
Acrylic Window: XPD
Red Set Hand: XSH
Max. Pointer: XEP

STANDARD RANGE TABLE**

Pressure – psi		
Range	Figure interval	Minor Graduation
0/15	1	0.1
0/30	5	0.2
0/60	5	0.5
0/100	10	1
0/160	20	2
0/200	20	2
0/300	50	2
0/400	50	5
0/600	50	5
0/800	100	10
0/1000	100	10
0/1500	200	20
0/2000	200	20
0/3000	500	20
0/5000	500	50
0/6000	500	50
0/10,000	1000	100
0/20,000	2000	200
0/30,000	5000	200
0/50,000	5000	500
0/80,000	10,000	1000
0/100,000	10,000	1000

*50,000, 80,000, & 100,000 psi ranges available with 6" dial size only

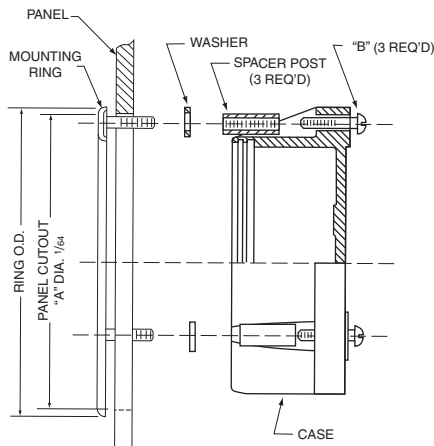
**Full standard and metric equivalent range table available on our web site.

Type 1379 Duragauge® Pressure Gauge with PLUS!™ Performance Option

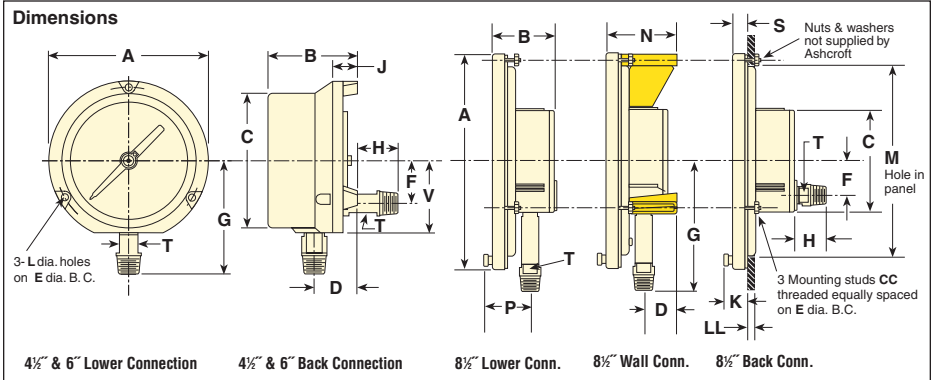
Compound				
Range	Figure Interval		Minor Grads	
	in Hg	psi	in Hg	psi
30" Hg/15 psi	5	3	0.5	0.2
30" Hg/30 psi	10	5	1	0.5
30" Hg/60 psi	10	10	1	1
30" Hg/100 psi	10	10	2	1
30" Hg/150 psi	10	20	5	2
30" Hg/200 psi	30	20	5	2
30" Hg/300 psi	30	50	5	2

Vacuum				
Range	Figure Interval		Minor Grads	
	30/0 in. Hg	5 in	0.2 in	
34/0 ft H ₂ O	5 ft		0.5 ft	

TYPE 1278M SERIES FLUSH MOUNTING RING
 Used to flush mount 4½" & 6" gauge case Type 1379(*)S.
 Standard finish is black; optional polished stainless steel finish.



Gauge Size	Ring O.D.	"A" DIA.	"B" Size of 3 Screws	"C" Size of Washers
4½"	6.000 (152)	5½" (148)	#10-24 x 1½"	7/16" x 17/64" x 5/8"
6"	7.765 (197)	7¾" (189)	¼" x 20 x 1½"	7/16" x 17/64" x 5/8"



Dial Size Inches	A	B	C	D	E	F	G	H	J	K	L	M	P	S	T	V	CC	LL	Wgt (lbs)
4½"	5 13/16 (148)	3 13/16 (86)	4 7/8 (124)	1 5/8 (41)	5 3/8 (137)	1 1/2 (42)	3 1/16 (100)	7/8 (20)	1 1/16 (27)	—	.218 (6)	—	2 1/4 (54)	—	5/8 (16)	2 5/8 (67)	—	—	2 1/2
6"	7 7/16 (192)	3 1/2 (89)	6 5/8 (162)	1 5/8 (41)	7 (178)	1 1/2 (42)	4 1/2 (114)	7/8 (20)	1 1/16 (27)	—	.218 (6)	—	2 1/4 (54)	—	5/8 (16)	2 5/8 (67)	—	1/8-1/2 (3)(13)	3 1/2
8½"	10 1/16 (256)	2 1/4 (73)	4 3/4 (121)	1 1/16 (27)	9 5/8 (244)	1 5/8 (41)	6 (152)	1 3/8 (35)	—	1 1/16 (27)	—	9 (228)	—	1 1/16 (17)	—	—	#10-24 (3)(13)	—	4 1/2

Table A - Case selection & mounting

Dial Size (in)	Ordering Code	Case Type	Case: Material Finish	Ring: Style Material Finish	Mounting / Connection
4½, 6, 8½"	(45), (60), (85)	1379 (1)	Aluminum, Black epoxy coating	4½", 6" Threaded reinforced polypropylene 8½" Hinged aluminum black epoxy coated	Stem - Lower or back Surface - Lower or back Flush - Back, specify X56 8½" Standard

Table B - Bourdon System Selection

Bourdon Tube & Tip Material ⁽²⁾ (all joints TIG welded except code "A")	Socket Material ⁽²⁾	Tube & Socket Code	Case Style Code	NPT Conn. & Code	Conn. Location & Code	Range Selection Limits (psi)
C510 Grade A Phosphor Bronze Tube, Brass Tip, Silver Brazed	Brass	(A)	(S) Solid Front	(04) ½"	Lower (L) Back (B)	Vac./1000
316 stainless steel	1018 steel	(R)	(S) Solid Front	(02) ¾"		Vac./20,000
316 stainless steel	316 SS	(S)	(S) Solid Front	(OPT)		Vac./20,000
K 500 Monel ⁽³⁾	Monel 400	(P)	(S) Solid Front			Vac./30,000
Inconel 718 ⁽³⁾	316 SS	(WW)	(SH) Solid Front	(09) ¾" High Pres.		50,000/80,000/ 100,000

Notes:

- (1) Liquid-fillable or hermetically sealed when kit 101A202-01 (lower) or kit 101A203-01 (back) is ordered.
- (2) For selection of the correct Bourdon system material see the media application table.
- (3) Use on applications where NACE MR-01-75 is specified for selection of the correct Bourdon system material.

HOW TO ORDER:

From Table A, Dial Size: 4½" 45 1379 RS* ** 04L XXX 0/2000 psi

From Table A, Case Type Number: 1379 _____

From Table B, Bourdon tube and socket: _____

From Table B, Connection: ¼ NPT (02), ½ NPT (04), Lower (L), Back (B) _____

From Optional Features: _____

From Range Table: 2000 psi _____

(*) "S" denotes solid front case design
 (**) If liquid filled case, insert code "L"